

Kol. Opis**1 SOLOLIFT2 D-2**

Paznja! Slika proizvoda se može razlikovati od stvarnog proizvoda

Proizvodni broj: [97775318](#)

Sololift2 D-2 is a small, compact automatic lifting station suitable for pumping of wastewater off places in private dwellings where greywater (w/o faeces) cannot be led directly to the sewer by means of a natural downward slope.

Sololift2 D-2 is typically used for:

- cabinet showers, washbasins or bidets in basements below sewer level, in connection with the renovation or modernisation of existing buildings, where the location may be remote from the main soil pipe so that a natural slope cannot be established.

Extremely low switching levels for lowest construction heights, advantageously in case of connection of a shower receptor.

Sololift2 D-2 is suitable for confined space conditions in built-in cabinets or also below shower receptors or pedestals.

The pumping of liquids containing other material may cause faults and limit the scope of our guarantee.

The compact lifting station is equipped with

- Cable with or without plug (see technical data)
- Discharge hose connector with several adaptors for pipes with Ø22-36mm

-Integrated non return valve

- Dry and high performance motor unit incl. thermal protection, pressure switch and controller
- Flexible connectors for inlet (adjustable in height) of pipes Ø36 or 40
- Manual anti clogging function and separate drain connection for service
- Venting valve with overflow protection
- Uplift fixation clips

Design according to EN12050-2 and production inspection by external institute with unique features focused on quick installation, long lasting operation and easy clean service.

Tečnost:

Dizana tečnost: bilo koja viskozna tečnost

Maximum liquid temperature: 323 K

Gustina: 998.2 kg/m³

Tehnički:

Saglasnosti na natpisnoj pločici: CE,TR,VDEEMV,VDE,MORO

Tolerancija krive: ISO9906:2012 3B

Materijali:

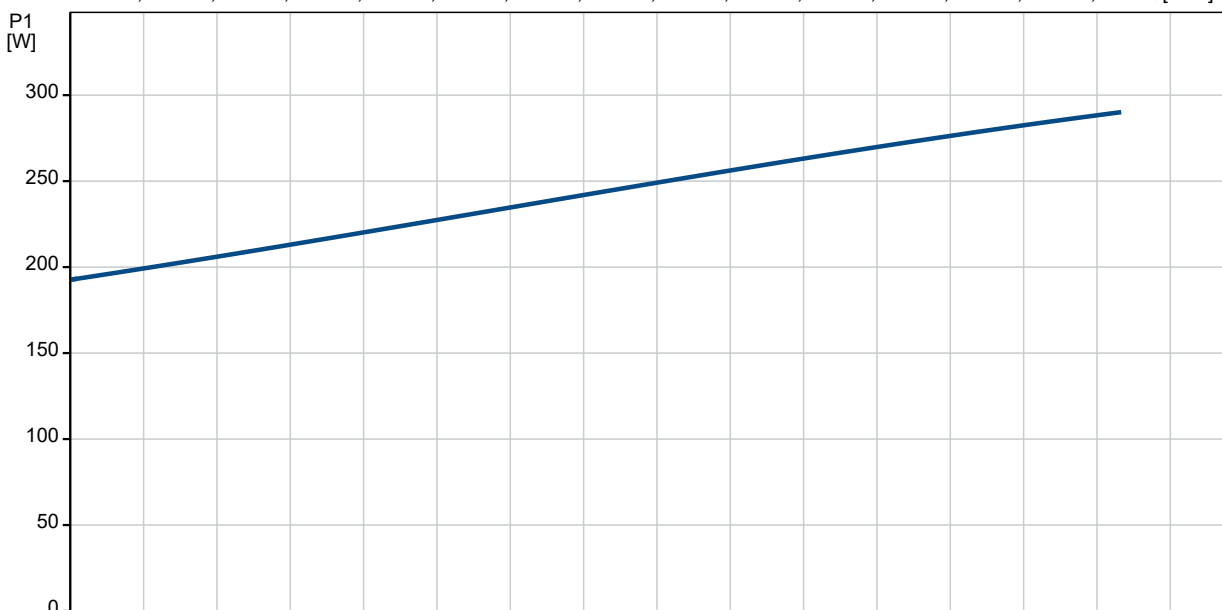
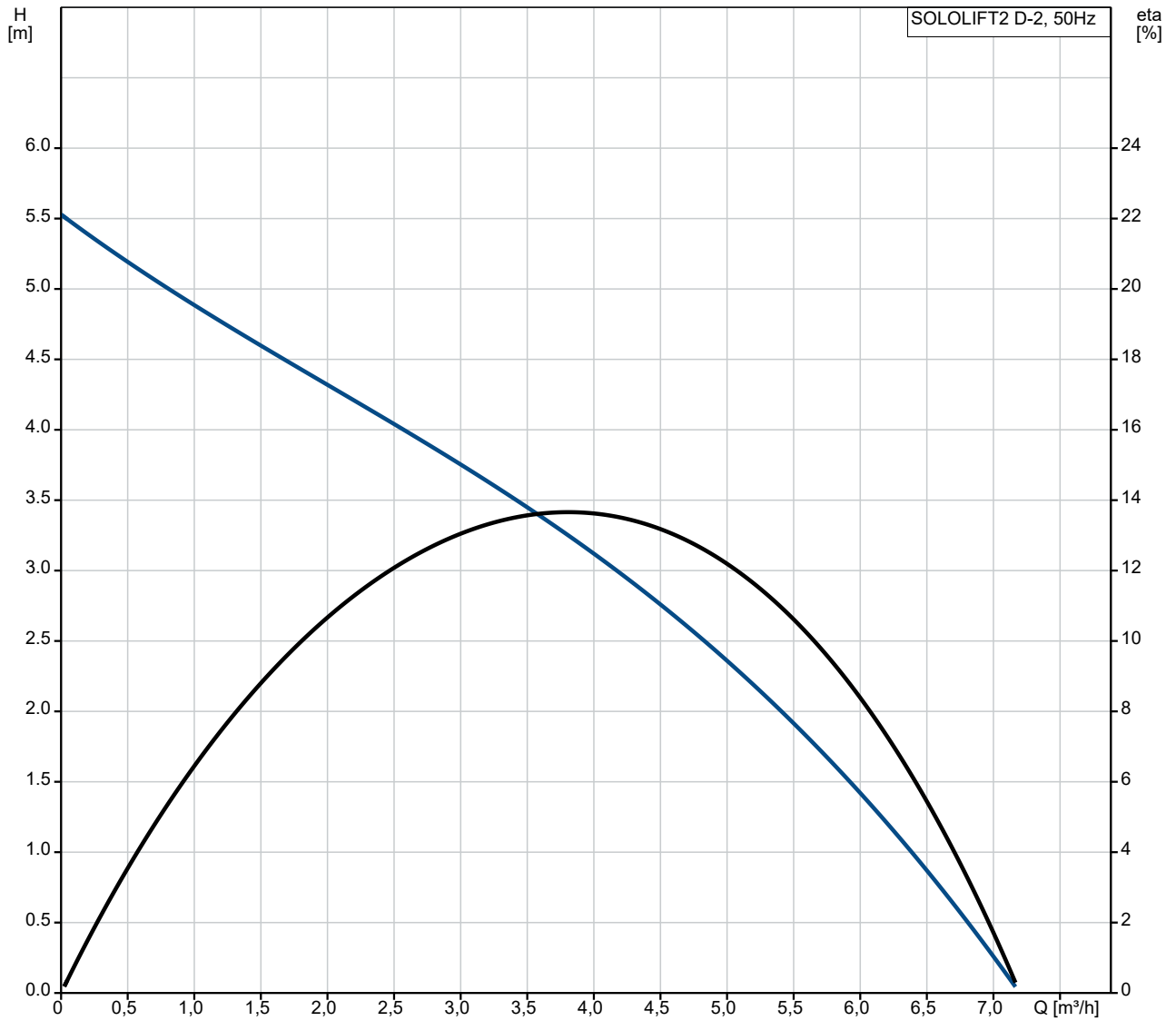
Rezervoar: Plastika

Ugradnja:

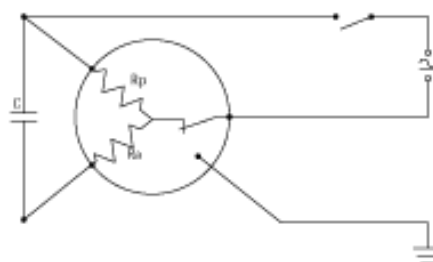
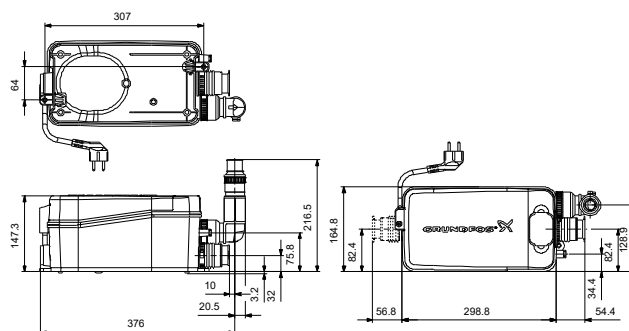
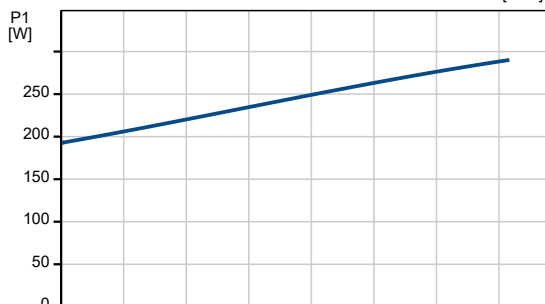
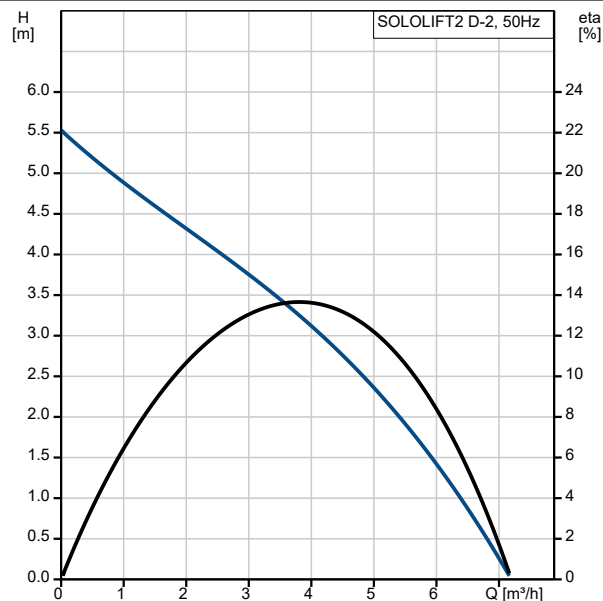
Ulaz pumpe: 36/40/50

Kol.	Opis
	Izlaz pumpe: 22/32
	Broj elektroda: 3X0,75MM2
	Elektro podaci:
	Potrebna snaga - P1: 280 W
	Frekvencija struje: 50 Hz
	Potrebni napon: 1 x 220-240 V
	Nazivna struja: 1.3 A
	Cos fi - faktor snage: 0.95
	Nazivna brzina: 2800 rpm
	Klasa zaštite (IEC 34-5): IP44
	Klasa izolacije (IEC 85): F
	Dužina kabla: 1.2 m
	Tip kabla: H05VV-F-3G
	Tip kablovskog utikača: SCHUKO
	Ostali:
	Neto masa: 4.69 kg
	Bruto masa: 6.25 kg
	Danski VVS Br.: 614366632
	Swedish RSK No.: 5886548
	Finnish LVI No.: 4965317
	Norwegian NRF no.: 9045713
	Country of origin: RS
	Custom tariff no.: 8413708190

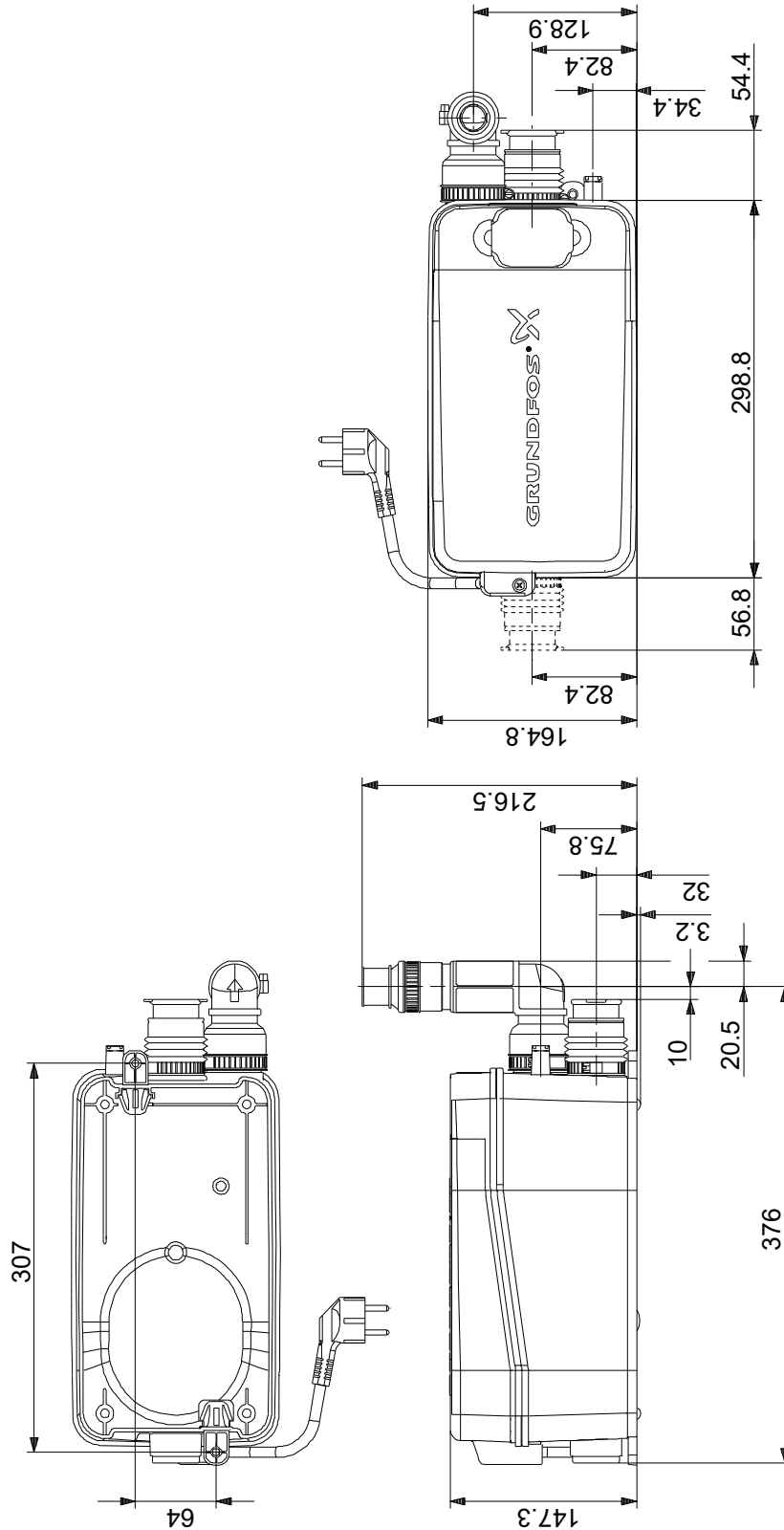
97775318 SOLOLIFT2 D-2 50 Hz



Opis	Vrednost
Opšte informacije:	
Ime proizvoda::	SOLOLIFT2 D-2
Šifra proizvoda:	97775318
EAN broj::	5710624187272
Cena:	€ 372.25
Tehnički:	
Visina max.:	5.5 m
Saglasnosti na natpisnoj pločici:	CE,TR,VDEEMV,VDE,MORO
Tolerancija krive:	ISO9906:2012 3B
Materijali:	
Rezervoar:	Plastika
Ugradnja:	
Ulaz pumpe:	36/40/50
Izlaz pumpe:	22/32
Broj elektroda:	3X0,75MM2
Tečnost:	
Dizana tečnost:	bilo koja viskozna tečnost
Maximum liquid temperature:	323 K
Gustina:	998.2 kg/m ³
Elektro podaci:	
Potrebna snaga - P1:	280 W
Frekvencija struje:	50 Hz
Potrebni napon:	1 x 220-240 V
Nazivna struja:	1.3 A
Cos fi - faktor snage:	0.95
Nazivna brzina:	2800 rpm
Klasa zaštite (IEC 34-5):	IP44
Klasa izolacije (IEC 85):	F
Termička zaštita:	THERMIK S06-160-05
Dužina kabla:	1.2 m
Tip kabla:	H05VV-F-3G
Tip kablovskog utikača:	SCHUKO
Ostali:	
Neto masa:	4.69 kg
Bruto masa:	6.25 kg
Pregled tipova:	Internacionalni
Danski VVS Br.:	614366632
Swedish RSK No.:	5886548
Finnish LVI No.:	4965317
Norwegian NRF no.:	9045713
Country of origin:	RS
Custom tariff no.:	8413708190

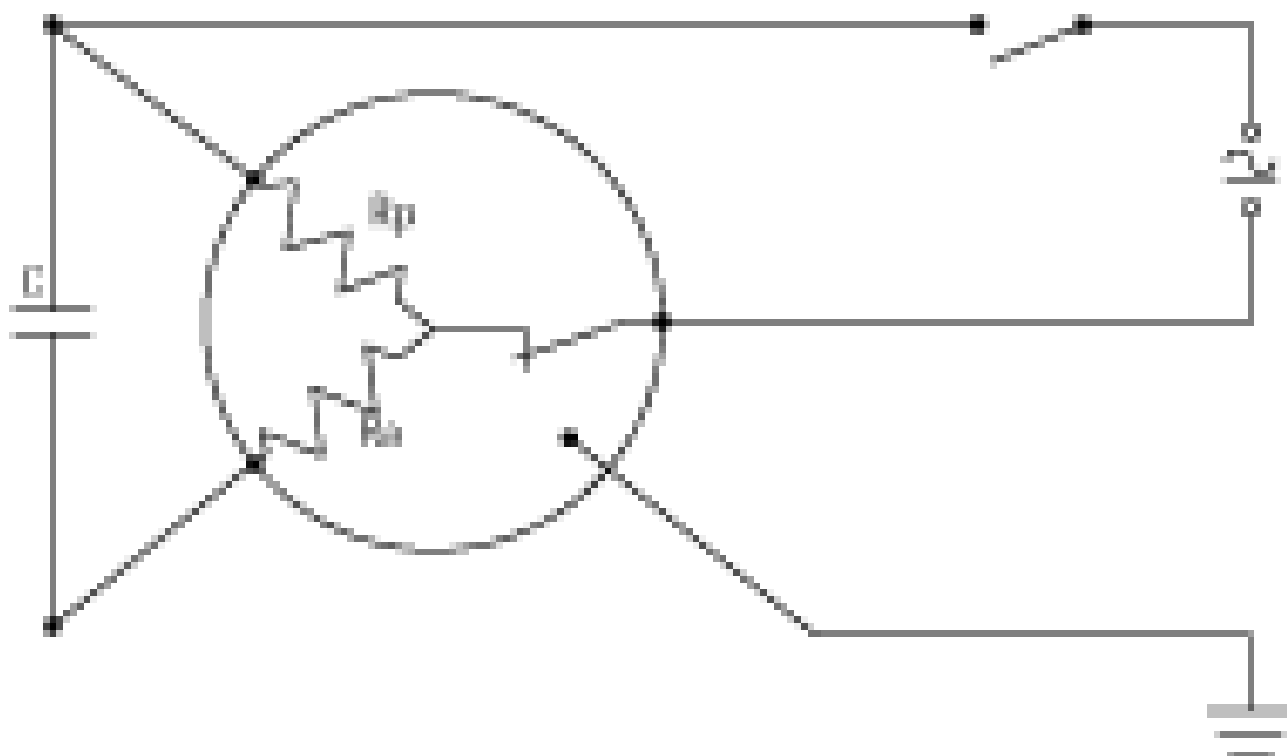


97775318 SOLOLIFT2 D-2 50 Hz



Napomena! Sve jedinice su u [mm] ukoliko drugačije nije navedeno.
Upozorenje: Ovaj pojednostavljeni dimenzioni crtež ne pokazuje sve detalje.

97775318 SOLOLIFT2 D-2 50 Hz



Pažnja! Sve jedinice su u [mm] ukoliko nije rečeno drugačije.